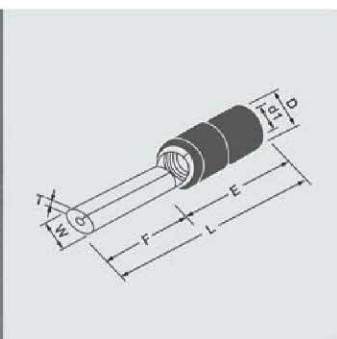


# TERMINALS

## Pin Terminals



- **Material**
- Insulation: Vinyl
- Terminal Body: Copper
- Plating: Tin



## Pin Terminals

WIRE RANGE mm <sup>2</sup> (A.W.G.)	ITEM NO .	DIMENSION mm(inch)				COLOUR
		W	F	L	d1	
0.5-1.5 (22-16)	WT116	1.9(.075)	9.0mm	21.8(.858)	1.7(.067)	<b>RED</b>
1.5-2.5 (16-14)	WT117	1.9(.075)	9.0mm	21.8(.858)	2.3(.091)	<b>BLUE</b>