
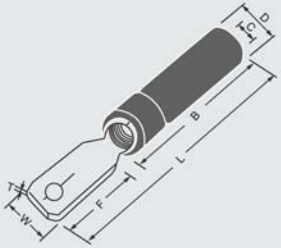







HEAT SHRINK TERMINALS

Heat Shrink Male Blades

- **Material**
- Insulation: Heat Shrink Tube
- Terminal Body: Brass
- Metallic Sleeve: Copper
- Plating: Tin

- **Character:**
- Waterproof / Sealed
- Easy Entry

Heat Shrink Male Blades

WIRE RANGE mm ² (A.W.G.)	TAB SIZE Thickness × Width	ITEM NO .	DIMENSION mm(inch)					COLOUR
			W	L	B	C	T	
0.5-1.5 (22-16)	0.8×6.35 .032×.250	HWT58	6.35	35	25.0	1.7	0.4	RED
1.5-2.5 (16-14)	0.8×6.35 .032×.250	HWT59	6.35	35	25.0	2.3	0.4	BLUE
4-6 (12-10)	0.8×6.35 .032×.250	HWT60	6.35	36	26.0	3.4	0.4	YELLOW