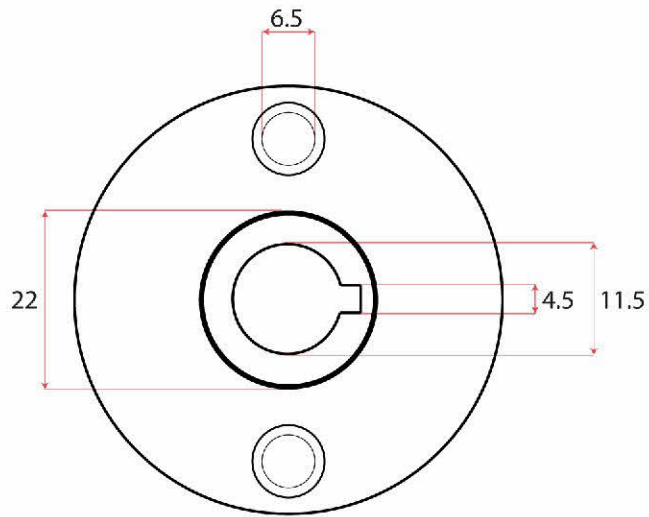
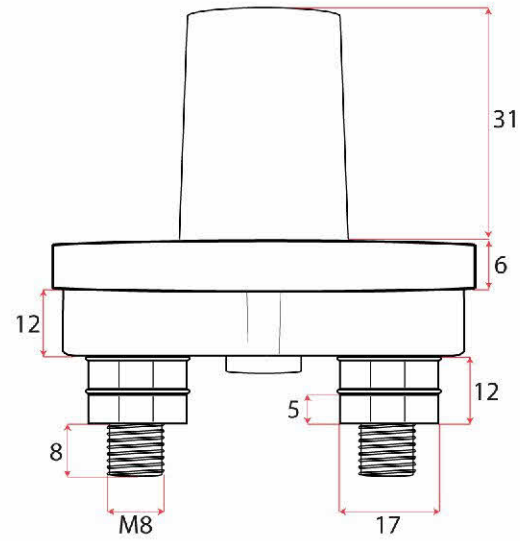


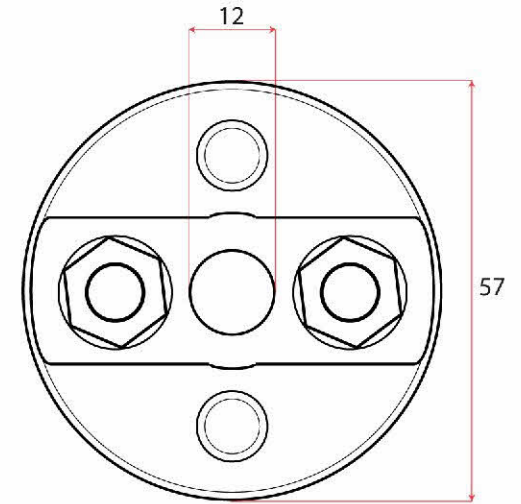
TOP VIEW



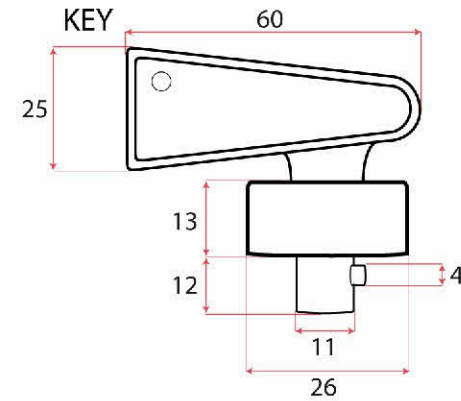
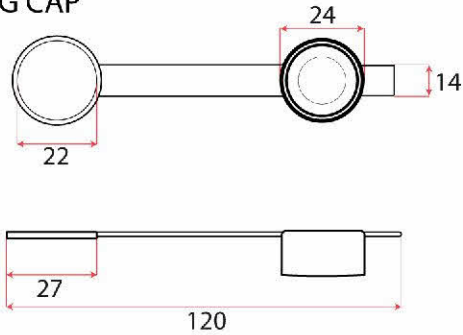
SIDE VIEW



BOTTOM VIEW



COVERING CAP



+ / - 5% All Dimensions In MM

Part Number	SH9
Key Positions	2 (off - on)
Maximum Peak Load (12v)	1000A for 10 seconds
Maximum Peak Load (24v)	500A for 10 seconds
Maximum Continuous Load (12v)	100A
Maximum Continuous Load (24v)	50A