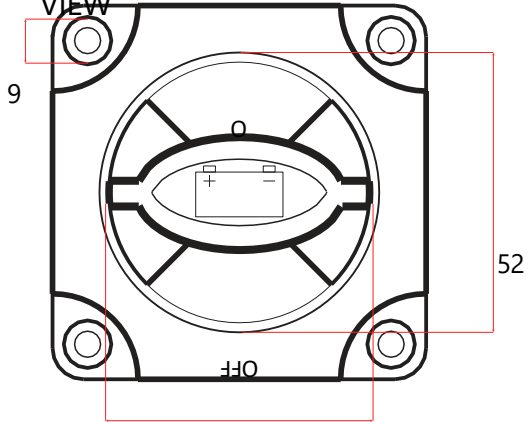
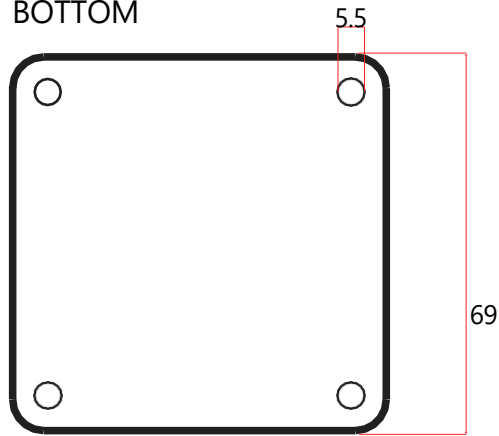


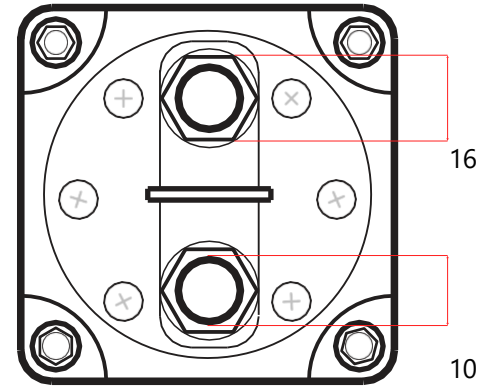
TOP VIEW  
VIEW



BOTTOM

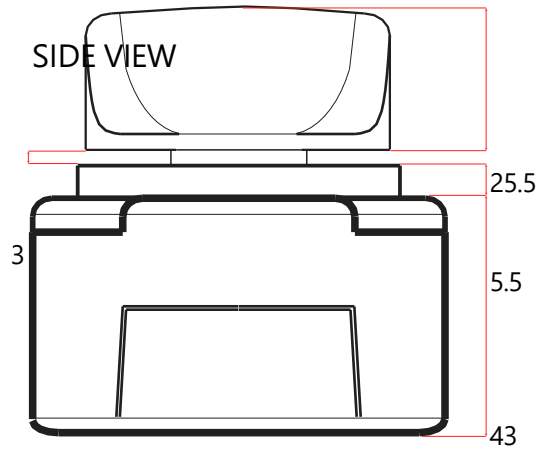


BOTTOM VIEW (INSIDE)



48.5

SIDE VIEW



+ / - 5% All Dimensions In MM

<b>Part Number</b>	<b>19-007</b>
<b>Key Style</b>	Detachable
<b>Key Positions</b>	2 (off - on)
<b>Voltage</b>	12-48V
<b>Continuous Load (1hr)</b>	300A
<b>Peak Load (5sec)</b>	1000A
All Measurements And Specifications Are Accurate + / - 5%	