

Specification

1. Item: Mini ATM Blade Auto Fuse

2. Model: 2A-40A/32V

3. Ref Number: FU6

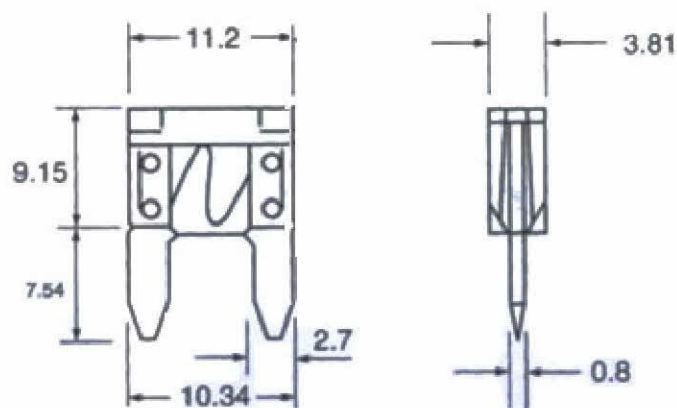
Detailed Specification

1. Applicable Scope: Is suitable in the automobile special-purpose product 32V following DC voltage fuse

2. The fuse type divides into the glass type fuse and the belt foot type fuse two big kinds.

3. Size specification:

外型尺寸 Dimension:



4. Fuse time:

Load	Opening time
110%	4hours minimum
135%	0.75sec-1800sec
200%	0.15sec-5sec
350%	80m sec

4. Performance tests: Uses the multi-purpose ampere meters, the voltmeter, the thermometer, the pressure regulator, and the manostat carries on the examination.

5. View: Fuse outward appearance, when use must not have the hindrance shortcoming.

6. Material and surface treatment:

Name	Material
But melt	The zinc, the tin, the nickel, the silver or take this as of alloying element the principal constituent.
Outer Covering	PC

7. Indication: The fuse should on the PC plastic body in the method indication nominal current which obvious place not easy to vanish.

1A (Lt. GREY) 2A (GREY) 3A (VIOLET)
 4A (PINK) 5A (TAN) 7.5A (BROWN)
 10A (RED) 15A (BLUE) 20A (YELLOW)
 25A (NATURAL) 30A (GREEN) 35A (PURPLE) 40A (ORANGE)

8. The material ingredient male analyzes:

Gathers carbonic ether (Polycarbonate), not only has the extremely good pure brilliance, moreover the heat resistance reaches above 120°C, has also attacks the intensity suddenly, moreover also has the good rigidity, the electric appliance performance is good, the low hygroscopic size stability is good.

9. Environmental testing: The material, the components in high also fall and move and so on the experiments to be normal, when weather environmental variation below zero 20°C-60°C, the product does not have any change.

10. Ingredient analysis:

<u>Performance</u>	<u>Units</u>	<u>Quantity</u>
Tensile strength	KG/GM2	630
Delaying characteristic	%	106
Crooked value	KG/GM2	23.4
Is turned the intensity		910
Molecular weight	22, 0001+, 000	